

# SECTION 5 PARTS LIST

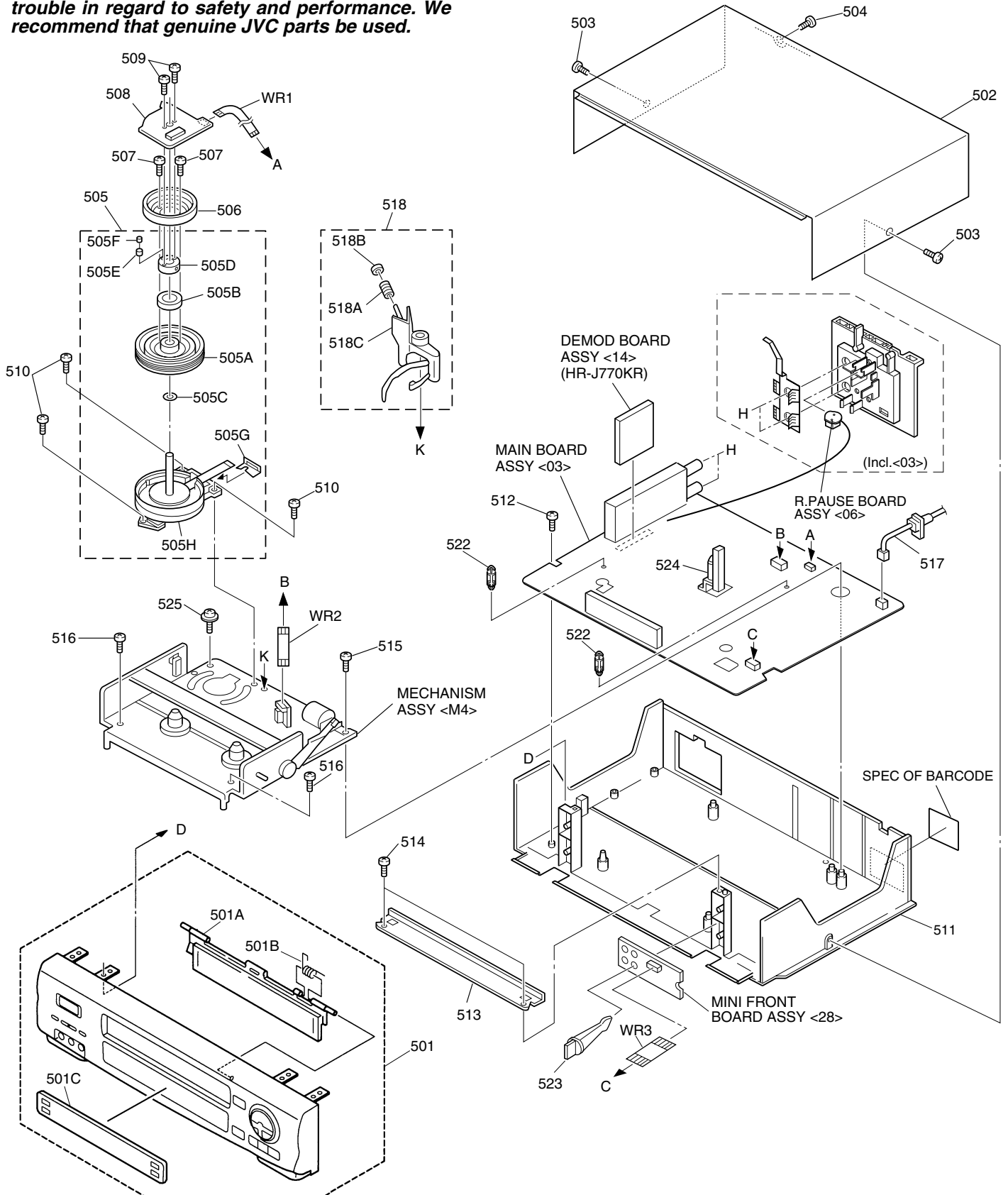
## SAFETY PRECAUTION

Parts identified by the  $\triangle$  symbol are critical for safety. Replace only with specified part numbers.

### 5.1 CABINET AND CHASSIS ASSEMBLY <M2>

#### BEWARE OF BOGUS PARTS

Parts that do not meet specifications may cause trouble in regard to safety and performance. We recommend that genuine JVC parts be used.



#  $\Delta$  REF No. PART No. PART NAME, DESCRIPTION

\*\*\*\*\*

**CABINET AND CHASSIS ASSEMBLY <M2>**

$\Delta$ 501	LP10289-036B	FRONT PANEL ASSY,J770KR
$\Delta$	LP10289-041B	FRONT PANEL ASSY,J2010T
501A	LP20868-014A	CASSETTE DOOR
501B	PQ46448	TORSION SPRING
501C	LP20869-050A	DISPLAY WINDOW,J770KR
	LP20869-059A	DISPLAY WINDOW,J2010T
$\Delta$ 502	LP10013-031C	TOP COVER
503	QYTDSF3010R	SCREW,X2 TOP COVER(SIDE)
504	QYTDSF3010M	SCREW,TOP COVER(REAR)
505	LP20617-001A	DRUM SUB ASSY
505A	LP20616-001A	UPPER DRUM ASSY
505B	PDM4439	CAP
505C	PDM4444-19-2	WASHER
505D	LP40572-001A	COLLAR ASSY
505E	LP40323-001A	CONTACT
505F	LP30004-014A	COMPRESSION SPRING
505G	LP40174-001B	FPC PLATE
505H	LP20615-001A	LOWER DRUM ASSY
506	PDZ0179-1-4	ROTOR ASSY
507	QYSPSP3006Z	SCREW,X2
$\Delta$ 508	QAR0119-001	STATOR ASSY
509	QYSPSPH2606Z	SCREW,X2
510	QYTDST2610Z	SCREW,X3 DRUM
$\Delta$ 511	LP10108-002D	BOTTOM CHASSIS
512	QYTDSF3010Z	SCREW,MAIN
513	LP30312-001B	BRACKET(CHASSIS)
514	QYTDSF3010Z	SCREW,X2
515	QYTDSF4012Z	SCREW,MECHA
516	QYTDSF3010Z	SCREW,X2 MECHA
$\Delta$ 517	PQ21730N	POWER CORD,J770KR
$\Delta$	QMP73J0-170	POWER CORD,J2010T
518	LP40369-001D	CLEANER ASSY
518A	PQ46418-1-2	CLEANER ROLLER
518B	PQ46419-1-2	CLEANER
518C	LP30407-001D	CLEANER ARM
522	LP40226-001A	PC SUPPORT,X2
523	LP40628-001B	PC SUPPORT
524	LP40253-001B	STOPPER
525	PQ40413	SPECIAL SCREW,MECHA
WR1	QUQ212-0518CG	FFC WIRE,DRUM CN3002
WR2	WJT0005-002A	E-CARD WIRE,A/C HEAD CN2001
WR3	QUQ112-0914CG	FFC WIRE,FRONT CN7001

## 5.2 ELECTRICAL PARTS LIST

#	△ REF No.	PART No.	PART NAME, DESCRIPTION
*****			
<b>DEMOM BOARD ASSEMBLY &lt;14&gt;</b>			
PW1	PB11091A		DEMOM BOARD ASSY
IC1501	KA2268		IC
Q1501	2SC1740S/QRS/-T		TRANSISTOR
	or 2SC3199(G)		TRANSISTOR
Q1502	DTC144WS		TRANSISTOR
R1501	NRSA02J-471X		MG RESISTOR 470Ω,1/10W
R1502	NRSA02J-102X		MG RESISTOR 1kΩ,1/10W
R1503	NRSA02J-822X		MG RESISTOR 8.2kΩ,1/10W
R1504	NRSA02J-103X		MG RESISTOR 10kΩ,1/10W
R1505	NRSA02J-473X		MG RESISTOR 47kΩ,1/10W
R1506	NRSA02J-101X		MG RESISTOR 100Ω,1/10W
R1507	NRSA02J-102X		MG RESISTOR 1kΩ,1/10W
R1508	NRSA02J-273X		MG RESISTOR 27kΩ,1/10W
R1509	NRSA02J-103X		MG RESISTOR 10kΩ,1/10W
R1510	NRSA02J-563X		MG RESISTOR 56kΩ,1/10W
R1511	NRSA02J-562X		MG RESISTOR 5.6kΩ,1/10W
R1512	NRSA02J-332X		MG RESISTOR 3.3kΩ,1/10W
R1513	NRSA02J-123X		MG RESISTOR 12kΩ,1/10W
R1514	NRSA02J-123X		MG RESISTOR 12kΩ,1/10W
R1515	NRSA02J-562X		MG RESISTOR 5.6kΩ,1/10W
R1516	NRSA02J-273X		MG RESISTOR 27kΩ,1/10W
R1517	NRSA02J-103X		MG RESISTOR 10kΩ,1/10W
R1518	NRSA02J-102X		MG RESISTOR 1kΩ,1/10W
R1520	NRSA02J-102X		MG RESISTOR 1kΩ,1/10W
R1521	NRSA02J-471X		MG RESISTOR 470Ω,1/10W
VR1501	QVPA006-103Z		V RESISTOR,SEPARATION
VR1502	QVP0039-683Z		V RESISTOR,PILOT VCO
C1501	NCB21EK-473X		CAPACITOR 0.047μF,25V
C1502	QEKC1CM-106		E CAPACITOR 10μF,16V
C1503	NCB21HK-471X		CAPACITOR 470pF,50V
C1505	NDC21HJ-470X		CAPACITOR 47pF,50V
C1506	NDC21HJ-470X		CAPACITOR 47pF,50V
C1507	NCB21EK-104X		CAPACITOR 0.1μF,25V
C1508	QFV11HJ-124		F CAPACITOR 0.12μF,50V
C1509	NCB21EK-104X		CAPACITOR 0.1μF,25V
C1510	NCB21EK-473X		CAPACITOR 0.047μF,25V
C1512	NCB21EK-683X		CAPACITOR 0.068μF,25V
C1513	QEKC1EM-475		E CAPACITOR 4.7μF,25V
C1514	QEKC1EM-475		E CAPACITOR 4.7μF,25V
C1515	QFLC1HJ-683Z		F CAPACITOR 0.068μF,50V
C1516	NCB21EK-473X		CAPACITOR 0.047μF,25V
C1517	QETC1CM-227		E CAPACITOR 220μF,16V
C1518	QEKC1CM-106		E CAPACITOR 10μF,16V
C1519	QEKC1CM-106		E CAPACITOR 10μF,16V
C1520	QEKC1CM-106		E CAPACITOR 10μF,16V
C1522	QEKC1CM-106		E CAPACITOR 10μF,16V
C1523	NCB21HK-332X		CAPACITOR 0.0033μF,50V
C1524	QETC1CM-227		E CAPACITOR 220μF,16V
C1526	NDC21HJ-470X		CAPACITOR 47pF,50V
C1527	NDC21HJ-470X		CAPACITOR 47pF,50V
C1528	QEKC1CM-106		E CAPACITOR 10μF,16V
C1530	NCB21EK-473X		CAPACITOR 0.047μF,25V
L1501	QQL01BJ-680Z		COIL 68μH
CF1501	PEVB0685		CERAMIC FILTER
CF1502	PEVB0686		CERAMIC FILTER
CF1503	PEVB0688		CERAMIC FILTER
T1501	PELN1238		IF.TRANSFORMER,SUB DET
T1502	PELN1239		IF.TRANSFORMER,MAIN DET
BK1	LP40077-001A		BRACKET(BOARD)
CN1501	QGG2502K1-09		HEADER PIN